

enabling your ideas.

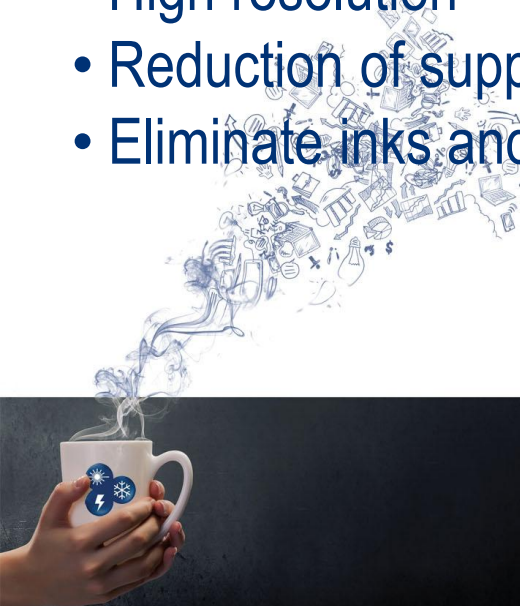
Optical, Power and Thermal Management Technologies

New technologies for agriculture & food industry. May 2019

# Benefits of Photonics in packaging industry

Photonics printing, laser marking, engraving and welding have demonstrated big advantages vs. traditional technologies:

- Production efficiency
- Non contact process
- High accuracy and repeatability
- High resolution
- Reduction of supply chain waste
- Eliminate inks and solvents from production lines



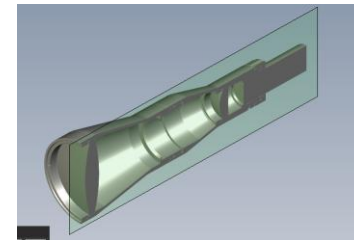
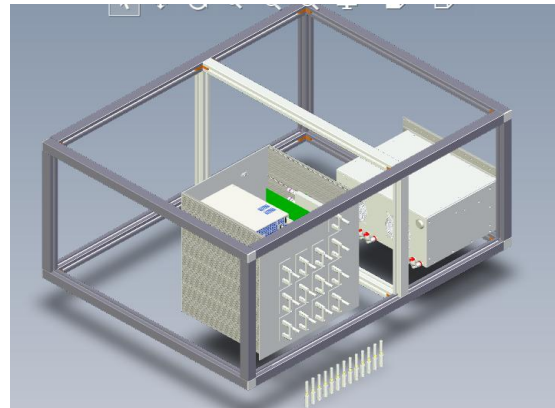
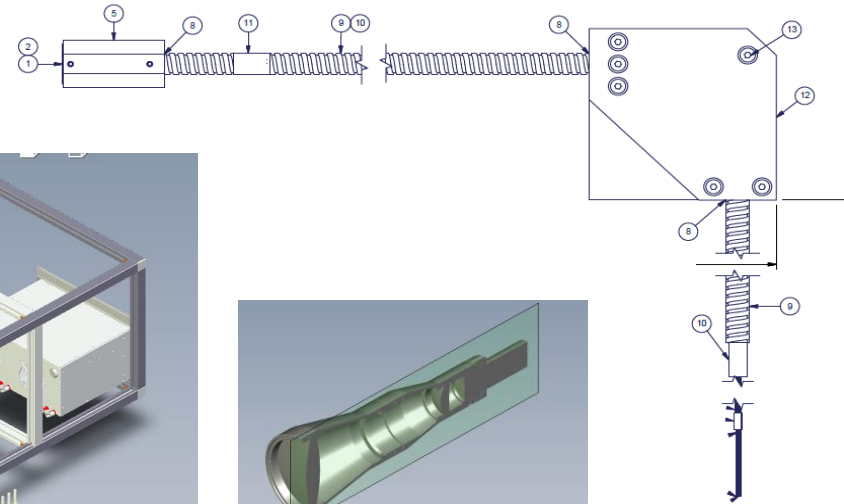
# Helping packaging and labelling companies to enhance their photonics technologies – Laser printing, laser engraving, laser welding

- Design and production capabilities from components to subassemblies and complete systems.
- Some examples of custom solutions for packaging sector:

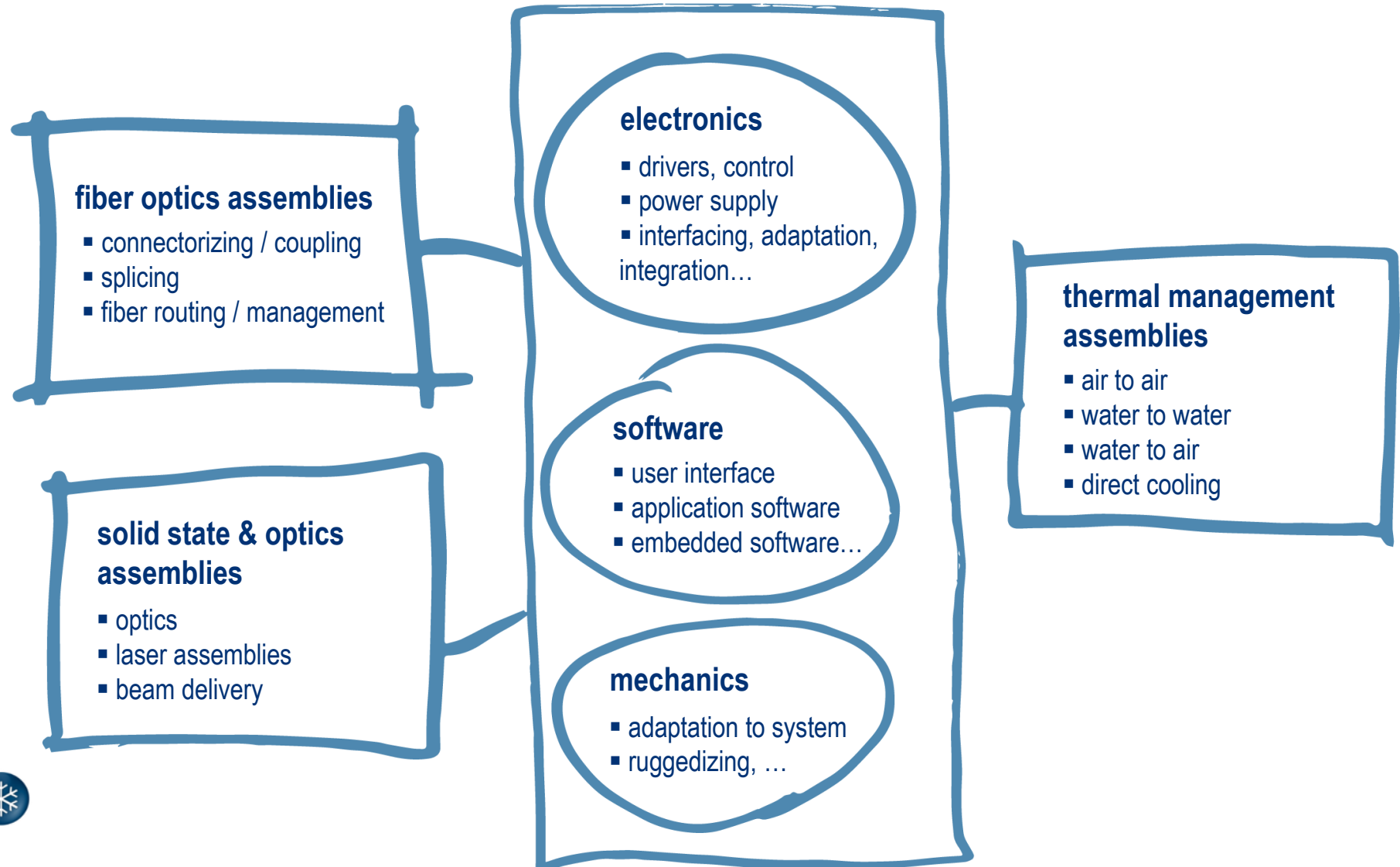
High density fiber bundle

Optical Scan Head

Laser Diode system



based on your requests, AMS Technologies  
develops and delivers your solution – engineering & integrating:





**GERMANY**

AMS Technologies AG  
Fraunhoferstr. 22  
82152 Martinsried, Germany  
Phone +49 (0)89 895 77 0

**FRANCE**

AMS Technologies S.A.R.L.  
Silic 649 – Bâtiment Magnolia  
16, avenue du Québec  
91945 COURTABOEUF, France  
Phone +33 (0)1 64 86 46 00

**ITALY**

AMS Technologies S.r.l.  
Corso Sempione, 215/B  
20025 Legnano (MI), Italy  
Phone +39 0331 596 693

**POLAND**

AMS Technologies Sp. z o.o.  
Mogilska 69A St, Floor 2  
31-545 Krakow, Poland  
Phone +48 (0)12 346 24 16

**SPAIN**

AMS Technologies S.L.  
C/Filadors 35, 3º 7ª  
08208 Sabadell – Spain  
Phone +34 93 380 84 20

**SWEDEN**

AMS Technologies Nordic  
Azpect Photonics AB  
Aminogatan 34  
43153 Mölndal, Sweden  
Phone +46 (0)8 55 44 24 80

**UNITED KINGDOM**

AMS Technologies Ltd.  
Nene House, Drayton Way  
Daventry, Northamptonshire  
NN11 8EA, UK  
Phone +44 (0)1455 556360

[www.amstechnologies.com](http://www.amstechnologies.com) | [info@amstechnologies.com](mailto:info@amstechnologies.com)